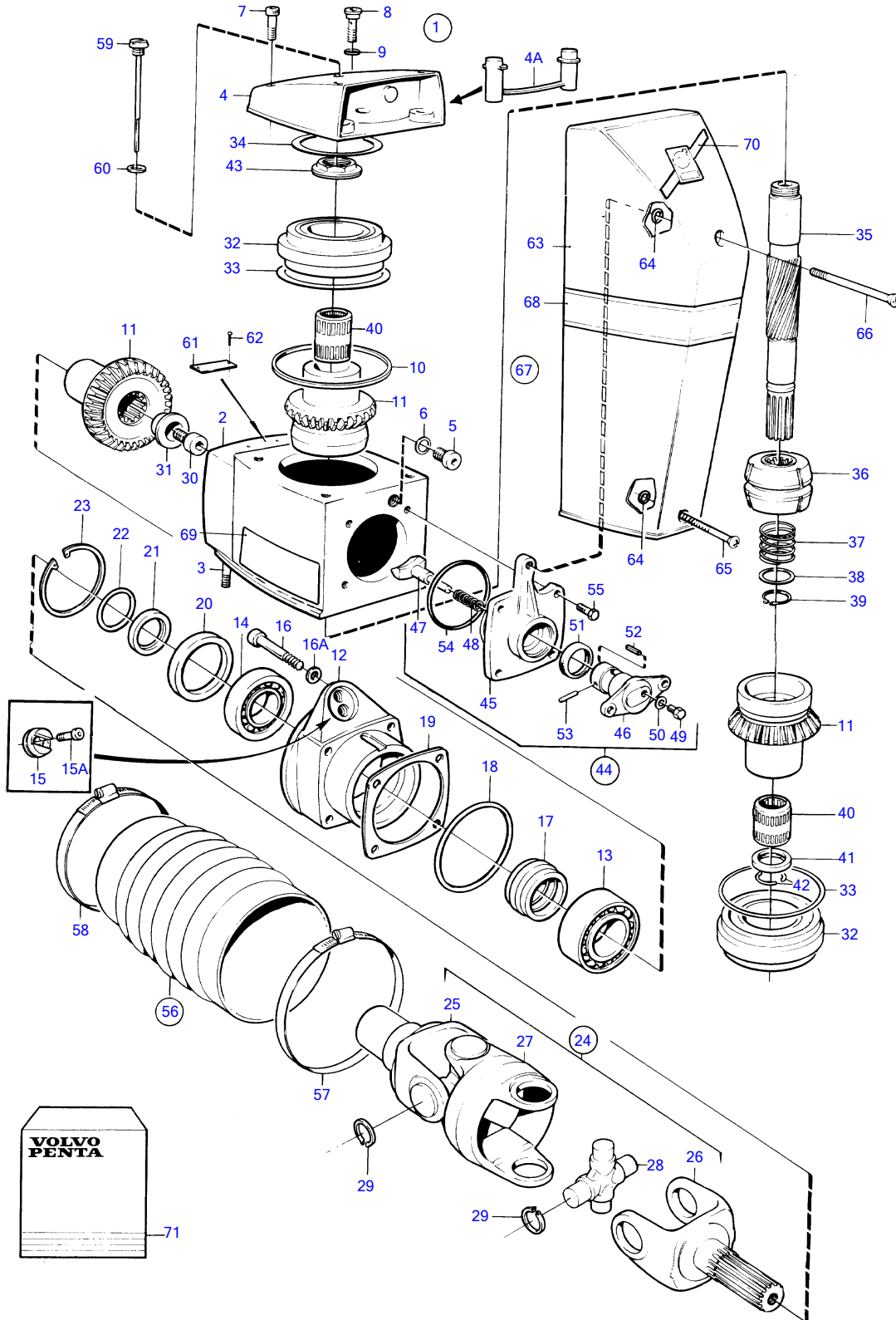


DP-D1



15160

## DP-D1

REF	PART NO.	QTY	DESCRIPTION	SEE SEC.	NOTES
1	3858785	1	Upper gear		
	3803483	1	Upper gear, exch, exch		
2	3856812	1	• Gear housing		
3	977241	2	• Stud		
4	3857149	1	• Cardboard tube		
4A	(854198)	1	• Plastic plug		Obsolete part
5	981965	1	• Plug		
6	897682	1	• Gasket		Included in gasket kit.
7	941807	3	• Hex. socket screw		
8	814643	1	• Hollow screw		
9	955989	1	• O-ring		Included in gasket kit.
10	832669	1	• Gasket		Included in gasket kit.
11		1	• Gear set		Replaced by 1pcs 873313, gear set, 1pcs 3855783, sliding sleeves, and 1pcs 3856502, dog.
	873313	1	• Gear		
12	3857144	1	• Bearing box		
13	3850852	1	• Bearing		
14	183247	1	• Roller bearing		
15	852705	1	• Pivot pin		
15A	941807	2	• Hex. socket screw		
16	984068	4	• Hex. socket screw		
16A	942598	4	• Washer		
17	853484	1	• Pretensioning sleeve		
18	967344	1	• O-ring		Included in gasket kit.
19	853034	X	• Shim		TH=0.10mm
	853035	X	• Shim		TH=0.15mm
	853036	X	• Shim		TH=0.35mm
20	839253	1	• Sealing ring		Included in gasket kit.
21	832675	1	• Washer		
22	956000	1	• O-ring		Included in gasket kit.
23	914538	1	• Snap ring		
24	3860230	1	• Universal joint		
			Bulletin P-44-1-5	P-44-1-5-EN	U-joints
30	3860364	1	• Screw		
31	853026	1	• Washer		
33	943869	X	• Shim		TH=0.05mm
	946179	X	• Shim		TH=0.10mm
	943870	X	• Shim		TH=0,20mm
34	941826	X	• Shim		TH=0.05mm
	941827	X	• Shim		TH=0,20mm
	948230	X	• Shim		TH=0.35mm
35	3852292	1	• Spindle		
36	3852293	1	• Sliding sleeve		Replaced by 1pcs 3855783, sliding sleeves, and 1pcs 3856502, dog.
			Bulletin P-44-1-8	P-44-1-8-EN	Shift mechanism, shift cone and shoe
			Bulletin P-44-1-18	P-44-1-18-EN	Shift Cone
36	3855783	1	• Sliding sleeve		
			Bulletin P-44-1-18	P-44-1-18-EN	Shift Cone
37	3852296	1	• Spring		
38	3852298	1	• Spacer		
39	951078	1	• Snap ring		
40	3852390	2	• Bearing		
41	3852294	1	• Ring		
42	3852295	2	• Locking clip		
43	3852301	1	• Nut		0.0mm
	3852302	1	• Nut		0.2mm
	3852303	1	• Nut		0.4mm
	3852375	1	• Nut		0.6mm
44	3855787	1	• Shift unit		
45	3855785	1	• • Bearing housing		
46	3856008	1	• • Plunger		
47	3856502	1	• • Dog		
48	814184	1	• • Spring		Obsolete part

7742700-44-612B

15160

Upd:2011-09-28

## DP-D1

REF	PART NO.	QTY	DESCRIPTION	SEE SEC.	NOTES
49	897711	1	• • Screw		
50	897871	X	• • Shim		
51	853868	1	• • Sealing ring		
52	973593	1	• • Spring pin		
53	942871	1	• • Clevis pin		
54	925093	1	• • O-ring		Included in gasket kit.
55	940169	4	• Hexagon screw		
56	876294	1	• Bellows kit		
			Bulletin P-44-1-11	P-44-1-11-EN	DPH/DPR U-Joint Bellows
57	853013	1	• • Hose clamp		
58	853012	1	• • Hose clamp		
59	839351	1	• Oil dipstick		
60	955974	1	• O-ring		Included in gasket kit.
61	853706	1	• Type plate		
62	804269	2	• Drive screw		
63	854604	1	Protecting cover		Included in complete drive.
64	925052	2	O-ring		Included in complete drive.
65	854661	1	Screw		Included in complete drive.
66	872027	1	Screw		Included in complete drive.
67	876636	1	Decal set		
68	872866	1	• Decal		Included in gasket kit.
69	872868	1	• Decal		Included in complete drive., P
	872867	1	• Decal		Included in complete drive., S.B
70	854144	1	Sign		Included in complete drive.
71	876266	1	Gasket kit, upper gear		See group 99